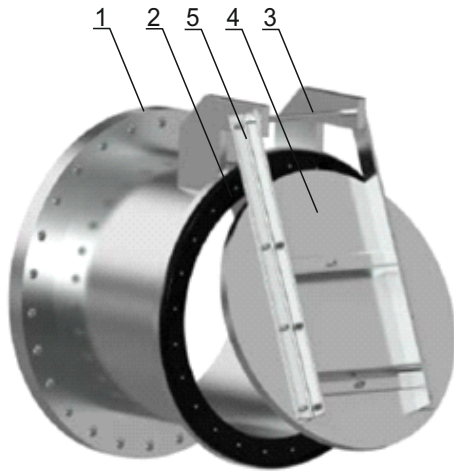


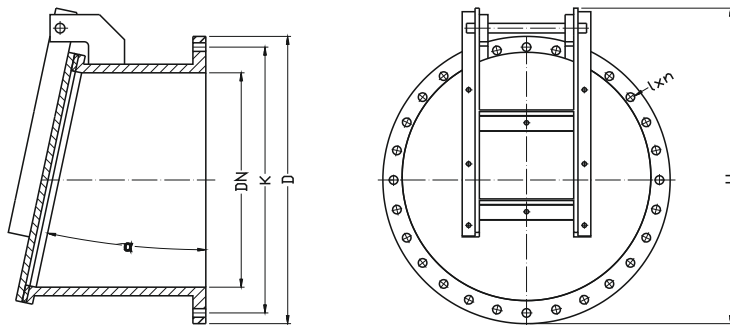
## Non-return flap valve

**SEWAGE**



No.	Part	Standard execution
1	Body	Steel 1.4301, 1.4401(*), 1.4404(*), 1.4571(*) EN 10027-2
2	Gasket	Rubber EPDM, NBR(*) EN-ISO 1629
3	Hinge	Steel 1.4301, 1.4401(*), 1.4404(*), 1.4571(*) EN 10027-2
4	Flap	Steel 1.4301, 1.4401(*), 1.4404(*), 1.4571(*) EN 10027-2
5	Rack	Steel 1.4301, 1.4401(*), 1.4404(*), 1.4571(*) EN 10027-2

(\*) other material variants on special request



DN	$\alpha$	H	D	K	l <sub>xn</sub>
[mm]	[°]	[mm]			
150	12	552	285	240	M22x8
200	12	619	340	295	M22x8
250	12	681	395	350	M22x12
300	12	734	455	400	M22x12
350	12	779	505	460	M22x16
400	12	832	565	515	M26x16
500	12	955	670	620	M26x20
600	12	1185	780	725	M30x20
700	10	1296	895	840	M30x24
800	10	1399	1015	950	M33X24
900	10	1515	1115	1050	M33X28
1000	10	1815	1230	1160	M36X28
1200	10	2033	1455	1380	M39X32
1400	10	2215	1675	1590	M39X36
1600	10	2560	1915	1820	M45X40

### Product description (standard execution):

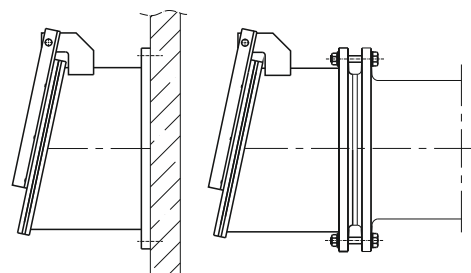
- Body and flap made of steel 1.4301
- Protection of the medium transmission system against reverse flow
- Rigid and durable construction ensures the safe operation
- Collision-free assembly on final gravity installations
- Full-flow product, no dead zones
- Circumferential sealing of the flap EPDM, NBR
- Replaceable sealing of the backflow shut-off element
- Screws and washers connecting the elements made of stainless steel
- Nominal outer diameter of the connection according to EN ISO 6708
- Installation length according to the technical documentation of the manufacturer JAFAR
- Marking of the flap complies with the requirements of the norm: EN 19

### Accessories:

In transporting of wastewater and other inert fluids in treatment plants, sewage pumping stations, drainage and hydrotechnical facilities, road drainage systems, flood protection systems. Collision-free assembly on final gravity installations.

### Installation:

Wall-mounted of the medium outflow  
End of the transmission pipeline



### Accessories::

Counterweight, load  
Flap lock