

Fig. 6125



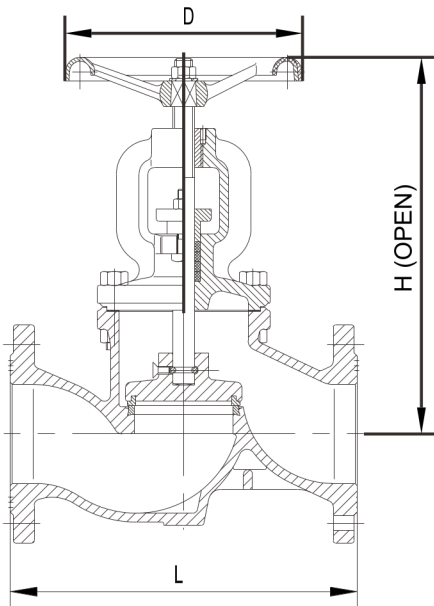
Valve Standard :
Comply with DIN 3356

Pressure Temperature Ratings

Working pressure	16bar
Testing Pressure	Shell:24bar Seal:17.6bar
Working Temperature	-10 to 120
Suitable Media	Water,Oil&Gas

Material Specification

Part	Material	EN Spec.
Body	Cast Iron	EN-JL 1040
Bonnet	Cast Iron	EN-JL 1040
Disc	Stainless Steel 420 15-50mm	BS970 420S37
	Cast Iron 65-300mm	EN-JL 1040
Disc Ring	Stainless Steel 420	BS970 420S37
Seat Ring	Stainless Steel 420	BS970 420S37
Stem	Stainless Steel 420	BS970 420S37
Packing	Graphite	Non-Asbestos
Hand Wheel	Cast Iron	EN-JL 1040



Dimensions

DN	mm	15	20	25	32	40	50	65	80	100	125	150	200	250	300
	inch	1/2	3/4	1	1-1/4	1-1/2	2	2-1/2	3	4	5	6	8	10	12
L		130	150	160	180	200	230	290	310	350	400	480	600	730	850
H open		183	191	216	255	277	304	335	380	426	480	555	660	749	965
D		100	100	120	120	140	140	200	200	240	280	315	360	400	400