

STOP GLOBE VALVE ACID-PROOF WITH BELLOWS TYPE ZMA40

CHARACTERISTIC:

- Diameter - 15 -300 mm;
- Pressure - 40 bar (flanged may be drilled for 6, 10, 16, 25, bar);
- Temperature - up to 250°C for acids, bases and other aggressive media;
- up to 550°C for non-toxic media; (with PTFE sealing up to 200°C);
- Medium - acids, liquors, water, steam and other non-toxic and non aggressive liquid and gas media, engine fuel.

VERSIONS : type body material / ends / disc and disc rings / others

Example: ZMA40 / --- / --- / ---

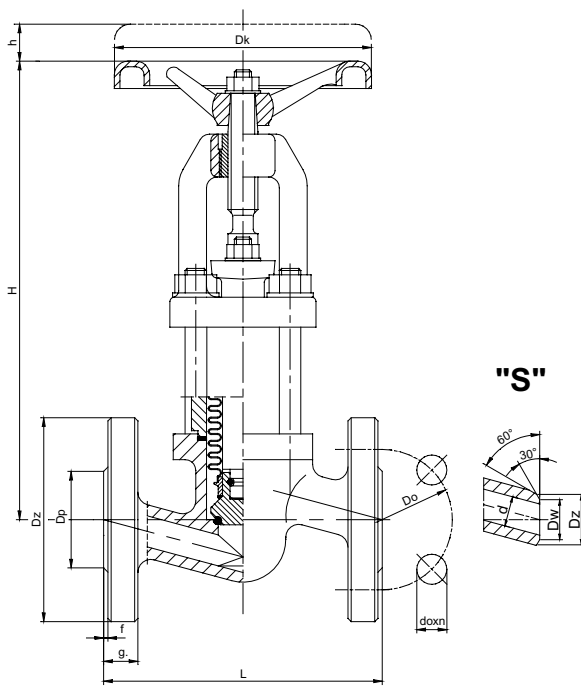
Example: ZMB40 / S / P / ---

Type - body material	Sign	Ends	Sign	Disc and disc rings	Sign	Others	Sign
X6CrNi18-10 or GX5CrNi19-10	ZMA40	Standard - flanged	---	Standard	---	-----	---
		Butt weld ends	S	PTFE ring	P		
X2CrNiMo17-12-2 or GX5CrNiMo19-11-2	ZMB40	Socket weld	SW	NBR ring	N		
				Rubber ring	G		

APPLICATION:

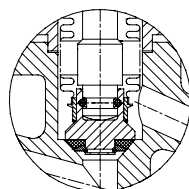
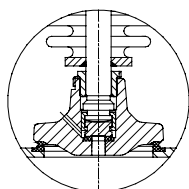
Stop globe valve is designed to open and stop the flow. The valve is not supposed to be used as a regulating device. For regulation the version „R” with throttling plug should be applied.

DN 15 ÷ 100

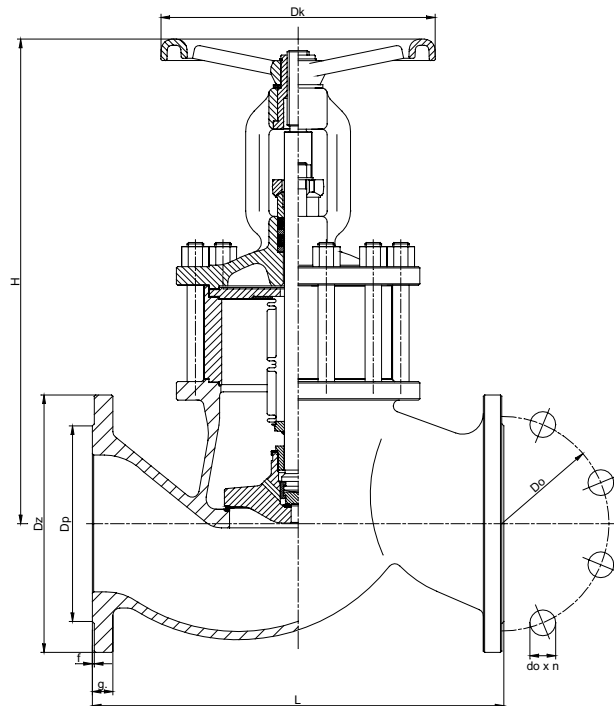


Equilibrating disc
DN 125-300

Rubber disc
T_{max} 120°C

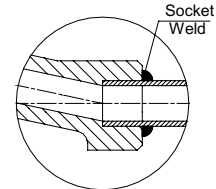
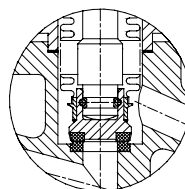


DN 125 ÷ 300



With PTFE, NBR
ring T_{max} 200°C

"SW"



WK®

Info:

Italwarmi Srl

Via Mbro, 61 - 20097 San Donato Milanese - M - Italy

Tel. +39 02 51 62 13 75

Fax. +39 02 51 62 90 70

e.mail: italwarmi@italwarmi.it

www.italwarmi.it

MATERIALS:

Versions	ZMA40	ZMB40	ZMA40	ZMB40
Parts	DN 15 - 50		DN 65 - 300	
Body , bonnet	X6CrNiTi18-10 (1.4541)	X2CrNiMo17-12-2 (1.4404)	GX5CrNi19-10 (1.4308)	GX5CrNiMo19-11-2 (1.4408)
Disc	X6CrNiTi18-10 (1.4541)	X2CrNiMo17-12-2 (1.4404)	X6CrNiTi18-10 (1.4541)	X2CrNiMo17-12-2 (1.4404)
Stem	X6CrNiTi18-10 (1.4541)	X2CrNiMo17-12-2 (1.4404)	X6CrNiTi18-10 (1.4541)	X2CrNiMo17-12-2 (1.4404)
Bellows	X6CrNiTi18-10 (1.4541)			
Gasket	Grafit + austenit			
Wheel	Cast iron			

Special materials on request; modifications reserved.

DIMENSIONS:

DN	Standard - flanged																		With butt weld ends		
	PN 40												PN 16						Dz	Dw	Weight
	Dz	Dp	Do	do	n	L	g.	f	H	h	Dk	Weight	Dz	Dp	Do	do	n				
15	95	45	65	14	4	130	16	2	210	12	120	4,20	95	45	65	14	4	22	17	2,50	
20	105	58	75	14	4	150	18	2	210	12	120	4,90	105	58	75	14	4	28	22	2,60	
25	115	68	85	14	4	160	18	2	210	12	120	5,70	115	68	85	14	4	35	28,5	3,00	
32	140	78	100	18	4	180	18	2	260	14	160	9,50	140	78	100	18	4	44	37	5,60	
40	150	88	110	18	4	200	18	3	270	14	160	10,20	150	88	110	18	4	50	43	5,70	
50	165	102	125	18	4	230	20	3	280	16	160	13,20	165	102	125	18	4	62	54	7,40	
65	185	122	145	18	8	290	22	3	320	18	200	28,70	185	122	145	18	4	77	69	21,00	
80	200	138	160	18	8	310	24	3	370	18	250	38,20	200	138	160	18	8	91	81	28,75	
100	235	162	190	22	8	350	24	3	405	22	320	57,20	220	158	180	18	8	117	104	44,75	
125	270	188	220	26	8	400	26	3	570	40	280	95,00	250	184	210	18	8	144	130,5	78,00	
150	300	218	250	26	8	480	28	3	610	45	320	122,00	285	212	240	22	8	172	156,5	100,90	
200	375	285	320	30	12	600	34	3	670	50	400	205,00	340	268	295	22	12	223	204,5	166,70	
250	450	345	385	33	12	730	38	3	684	55	400	355,00	405	320	355	26	12	278	256,5	299,50	
300	515	410	450	33	16	850	42	3	830	85	600	560,00	460	370	410	26	12	329	306,5	486,00	

Dimensions in mm; modifications reserved.

TECHNICAL DATA:

Body material	Medium	PN	Maximal working pressure at working temperature																
			20°C	100°C	150°C	200°C	250°C	300°C	350°C	400°C	450°C	480°C	500°C	510°C	520°C	530°C	540°C	550°C	
			bar																
X6CrNiTi18-10 (1.4541)	aggressive media	40	40,0	39,6	37,3	35,4	33,7	-	-	-	-	-	-	-	-	-	-	-	-
GX5CrNi19-10 (1.4308)		40	40,0	36,3	32,7	29,9	27,6	-	-	-	-	-	-	-	-	-	-	-	-
X6CrNiTi18-10 (1.4541)	non aggressive media	40	40,0	39,6	37,3	35,4	33,7	31,8	30,6	29,7	29,0	28,7	28,3	28,0	27,8	27,5	27,2	27,0	27,0
GX5CrNi19-10 (1.4308)		40	40,0	36,3	32,7	29,9	27,6	25,7	24,5	23,8	23,3	23,0	22,8	22,0	19,5	18,9	18,0	17,5	17,5
X2CrNiMo17-12-2 (1.4404)	aggressive media	40	40,0	40,0	39,0	37,0	37,0	-	-	-	-	-	-	-	-	-	-	-	-
GX5CrNiMo19-11-2 (1.4408)		40	40,0	35,0	33,0	30,0	29,0	-	-	-	-	-	-	-	-	-	-	-	-
X2CrNiMo17-12-2 (1.4404)	non aggressive media	40	40,0	40,0	39,0	37,0	37,0	35,0	33,0	32,0	31,0	31,0	30,0	30,0	30,0	30,0	30,0	30,0	30,0
GX5CrNiMo19-11-2 (1.4408)		40	40,0	35,0	33,0	30,0	29,0	28,0	26,0	25,0	24,0	24,0	23,0	23,0	22,0	22,0	22,0	22,0	22,0

MOUNTING AND OPERATING:

The valve can only be mounted and operated by skilled, properly trained and qualified personnel. Incorrect assembly or operation of the valve may have substantial impact on the entire system such as fluid leakage, reduction in system's function etc.

Before a valve is installed the pipeline must be clean from any mechanical impurities. The compatibility of critical parameters of the flow must be checked with the parameters of the valve. Stop globe valve can be mounted to a pipe-line in any position. The direction of flow should only comply with the arrow marked on the body. The valve should be operated strictly with its assign. In order to provide valve's reliability the following suggestions must be observed:

- medium flowing through the valve is supposed to be clean out of any mechanical impurities;
- the valve must be protected from any mechanical damages during its work;
- nominal parameters marked on the valve and in its passport must be observed.