

STOP VALVE WITH BELLOWS TYPE 218MC

CARACTERISTIC:

- Diameter - 15 -100 mm;
- Pressure - 40 bar (flanges may be drilled for PN 6, 10, 16, 25 bar);
- Temperature - up to 450°C ;
- Medium - water, steam and especially to toxic or poisonous media which may be harmful for human beings or environment and other non-toxic, non aggressive liquid and gas media and engine fuel.

Because of the cone shape of the disk as also stellite surface of the disc the valve is specially recommended for chlorine medium.

VERSIONS: type / ends / body material / disc and disc ring / others

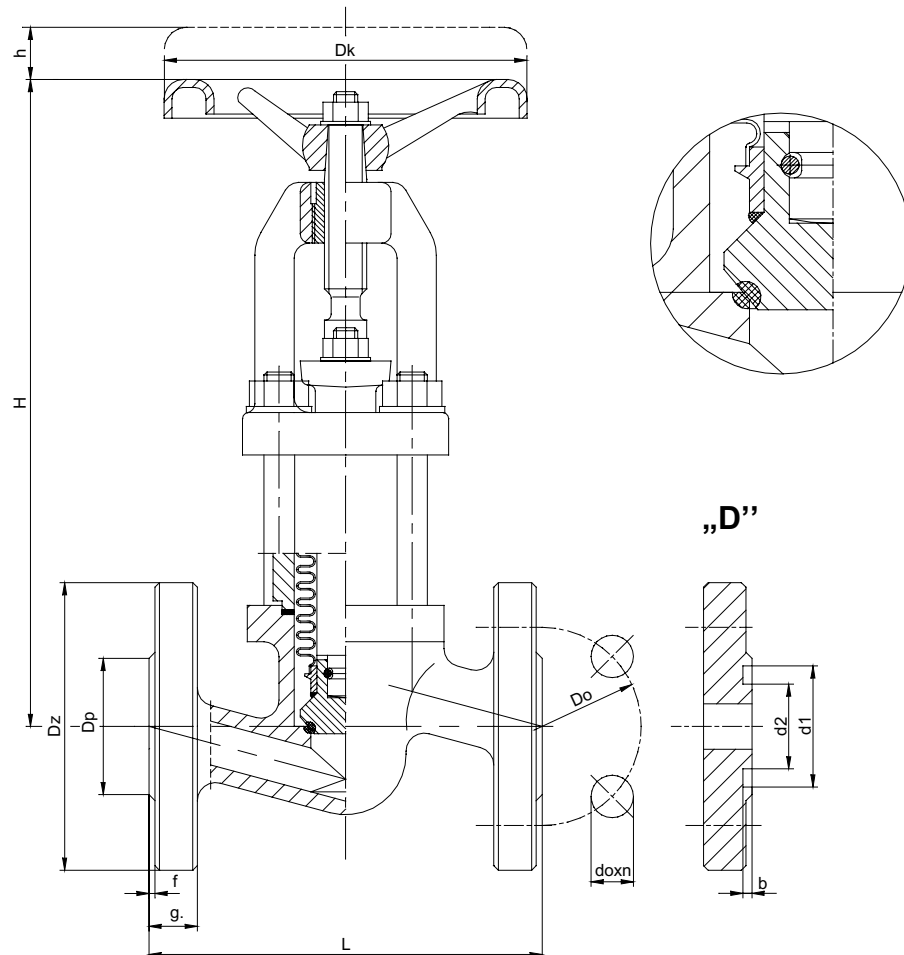
Example: 218MC / --- / --- / --- / ---

Example: 218MC / D / --- / --- / ---

Ends	Sign	Body material	Sign	Disc and disc ring	Sign	Others	Sign
Standard - flanged	---	(P250GH) C 22.8	---	Standard	---	-----	---
Flanged with spline " D "	D	or GP240GH					

APPLICATION:

Stop globe valve is designed to open and stop the flow where the fully tightens is required. The valve is not supposed to be used as a regulating device. For regulation the version „R” with throttling plug should be applied.



WK®

Info:

Italwarmi Srl

Via Mbro, 61 - 20097 San Donato Milanese - M - Italy

Tel. +39 02 51 62 13 75

Fax. +39 02 51 62 90 70

e.mail: italwarmi@italwarmi.it

www.italwarmi.it

MATERIALS:

Versions	Standard	
Parts	T _{MAX} 450°C	
	DN 15 - 50	DN 65 - 100
Body, bonnet	(P250GH) C22.8 (1.0460)	GP240GH (1.0619)
Seat ring	STELLIT	
Disc	X20Cr13 (1.4021) , P245GH (1.0352)	
Stem	X20Cr13 (1.4021) , X17CrNi16-2 (1.4057)	
Disc ring	STELLIT	
Bellows	X6CrNiTi18-10 (1.4541)	
Gasket	Grafit + austenite	
Wheel	Cast iron	

Special materials on request; modifications reserved.

DIMENSIONS:

DN	Standard - flanged																		Flanged with spline " D "		
	PN 40												PN 16						d1	d2	b
	Dz	Dp	Do	do	n	L	g.	f	H	h	Dk	Weight	Dz	Dp	Do	do	n				
15	95	45	65	14	4	130	16	2	210	12	120	4,20	95	45	65	14	4	40	28	3	
20	105	58	75	14	4	150	18	2	210	12	120	4,90	105	58	75	14	4	51	35	3	
25	115	68	85	14	4	160	18	2	210	12	120	5,70	115	68	85	14	4	58	42	3	
32	140	78	100	18	4	180	18	2	260	14	160	9,50	140	78	100	18	4	66	50	3	
40	150	88	110	18	4	200	18	3	270	14	160	10,20	150	88	110	18	4	76	60	3	
50	165	102	125	18	4	230	20	3	280	16	160	13,20	165	102	125	18	4	88	72	3	
65	185	122	145	18	8	290	22	3	320	18	200	28,70	185	122	145	18	4	110	94	3	
80	200	138	160	18	8	310	24	3	370	18	250	38,20	200	138	160	18	8	121	105	3	
100	235	162	190	22	8	350	24	3	405	22	320	57,20	220	158	180	18	8	150	128	3,5	

Dimensions in mm; modifications reserved.

TECHNICAL DATA:

Body material	PN	Maximal working pressure at working temperature																
		20°C	100°C	150°C	200°C	250°C	300°C	350°C	400°C	450°C	480°C	500°C	510°C	520°C	530°C	540°C	550°C	560°C
		bar																
(P250GH)C 22.8 (1.0460)	40	40,0	37,1	35,2	33,3	30,5	27,6	25,7	23,8	13,1	-	-	-	-	-	-	-	-
GP240GH (1.0619)	40	40,0	37,1	35,2	33,3	30,5	27,6	25,7	23,8	13,1	-	-	-	-	-	-	-	-

MOUNTING AND OPERATING:

The valve can only be mounted and operated by skilled, properly trained and qualified personnel. Incorrect assembly or operation of the valve may have substantial impact on the entire system such as fluid leakage, reduction in system's function etc.

Before a valve is installed the pipeline must be clean from any mechanical impurities. The compatibility of critical parameters of the flow must be checked with the parameters of the valve. Stop globe valve can be mounted to a pipe-line in any position. The direction of flow should only comply with the arrow marked on the body. The valve should be operated strictly with its assign. In order to provide valve's reliability the following suggestions must be observed:

- medium flowing through the valve is supposed to be clean out of any mechanical impurities;
- the valve must be protected from any mechanical damages during its work;
- nominal parameters marked on the valve must be observed.