

STOP GLOBE VALVE ACID-PROOF TYPE ZSA400

CHARACTERISTIC:

Diameter	-	10 -100 mm;
Pressure	-	400 bar;
Temperature	-	up to 250°C for acids, bases and other aggressive media;
	-	up to 550°C for non-toxic media; (with PTFE sealing up to 200°C);
Medium	-	acids, liquors, water, steam and other non-toxic and non aggressive liquid and gas media, engine fuel.

VERSIONS:

type / ends / body material / disc and disc ring / drive type

Example: ZSA400 / --- / --- / ---

Example: ZSA400 / SW / L / ---

Type - body material	Sign	Ends	Sign	Disc and disc ring	Sign	Others	Sign
X6CrNi18-10 or GX5CrNi19-10	ZSA400	Standard - BW	---	Standard	---	-----	---
X2CrNiMo17-12-2 or GX5CrNiMo19-11-2	ZSB400	Socket weld	SW	Stellit	L		
		Flanged	K				

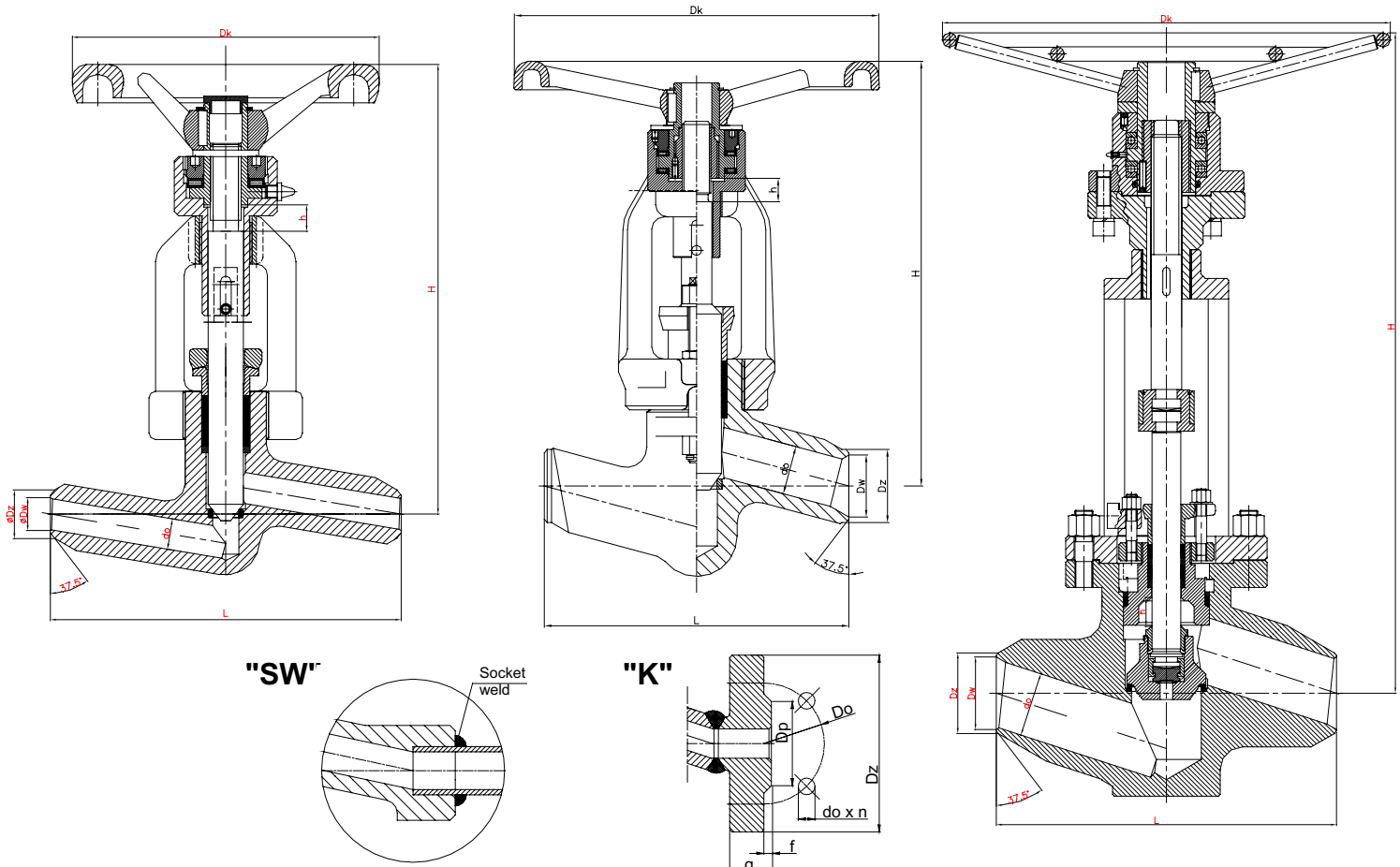
APPLICATION:

Stop globe valve (**ZSA400**) is designed to open and stop the flow. The valve is not supposed to be used as a regulating device. For regulation the version with throttling plug should be applied.

DN 10 ÷ 15

DN 20 ÷ 50

DN 65 ÷ 100



WK®

Info:

Italwami Srl

Via Mbro, 61 - 20097 San Donato Milanese - M - Italy

Tel. +39 02 51 62 13 75

Fax. +39 02 51 62 90 70

e.mail: italwami@italwami.it

www.italwami.it

MATERIALS:

Versions	ZSA400	ZSB400	ZSA400	ZSB400
Parts	DN 15 - 65		DN 80 - 100	
Body, bonnet	X6CrNiTi18-10 (1.4541)	X2CrNiMo17-12-2 (1.4404)	GX5CrNi19-10 (1.4308)	GX5CrNiMo19-11-2 (1.4408)
Disc	X6CrNiTi18-10 (1.4541)	X2CrNiMo17-12-2 (1.4404)	X6CrNiTi18-10 (1.4541)	X2CrNiMo17-12-2 (1.4404)
Stem	X6CrNiTi18-10 (1.4541)	X2CrNiMo17-12-2 (1.4404)	X6CrNiTi18-10 (1.4541)	X2CrNiMo17-12-2 (1.4404)
Packing rings, gasket	Grafit			
Wheel	Cast iron			

Special materials on request; modifications reserved.

DIMENSIONS:

Standard – butt weld ends						Flanged „K”										
DN	d	Dz	Dw	L	Weight	H	h	Dk	Dz	Dp	Do	do	n	L	g	f
10	10	20	10	160	3,00	205	12	140	-	-	-	-	-	-	-	-
15	14	28	17						145	45	100	22	4	230	30	2
20	20	35	21,5	160	9,00	266	19	200	-	-	-	-	-	260	-	-
25	24	44	29						180	68	130	26	4	260	38	2
32	30	50	33	300	30,00	418	23	360	-	-	-	-	-	300	-	-
40	38	62	40						220	88	165	30	4	300	48	3
50	44	77	49,5						235	102	180	30	8	350	52	3
65	62	91	62	340	-	714	45	GNR 700	290	122	225	33	8	400	64	3
80	76	117	81	380	-	637	36	GNR 500	305	138	240	33	8	450	68	3
100	92	144	102	430	-	720	50	GNR 500	370	162	295	39	8	520	80	3

Dimensions in mm; modifications reserved.

TECHNICAL DATA:

Body material	Medium	PN	Nominal working pressure at working temperature															
			20°C	100°C	150°C	200°C	250°C	300°C	350°C	400°C	450°C	480°C	500°C	510°C	520°C	530°C	540°C	550°C
X6CrNiTi18-10 (1.4541)	Aggressive media	400	400	396,3	373,4	354,3	337,1	-	-	-	-	-	-	-	-	-	-	
GX5CrNi19-10 (1.4308)		400	400	304,9	271,4	238,0	223,0	-	-	-	-	-	-	-	-	-	-	
X6CrNiTi18-10 (1.4541)	Non Aggressive media	400	400	396,3	373,4	354,3	337,1	318,0	306,6	297,1	290,6	285,5	283,7	282,9	282,0	281,4	280,6	270,5
GX5CrNi19-10 (1.4308)		400	400	304,9	271,4	238,0	223,0	209,4	195,1	180,9	166,6	158,3	152,3	-	-	-	-	-

MOUNTING AND OPERATING:

The valve can only be mounted and operated by skilled, properly trained and qualified personnel. Incorrect assembly or operation of the valve may have substantial impact on the entire system such as fluid leakage, reduction in system's function etc.

Before a valve is installed the pipeline must be clean from any mechanical impurities. The compatibility of critical parameters of the flow must be checked with the parameters of the valve. Stop globe valve can be mounted to a pipe-line in any position. The direction of flow should only comply with the arrow marked on the body. The valve should be operated strictly with its assign. In order to provide valve's reliability the following suggestions must be observed:

- medium flowing through the valve is supposed to be clean out of any mechanical impurities;
- the valve must be protected from any mechanical damages during its work;
- nominal parameters marked on the valve must be observed.