

STOP GLOBE VALVE TYPE ZA420

CHARACTERISTIC:

- Diameter - 6 - 10 mm;
- Pressure - 420 bar;
- Temperature - up to 250°C for acids, bases and other aggressive media;
up to 550°C non-toxic and non aggressive media;
- Medium - acids, liquors, water, steam and other non-toxic and non aggressive media.

VERSIONS: type body material / ends / disc and disc rings / others

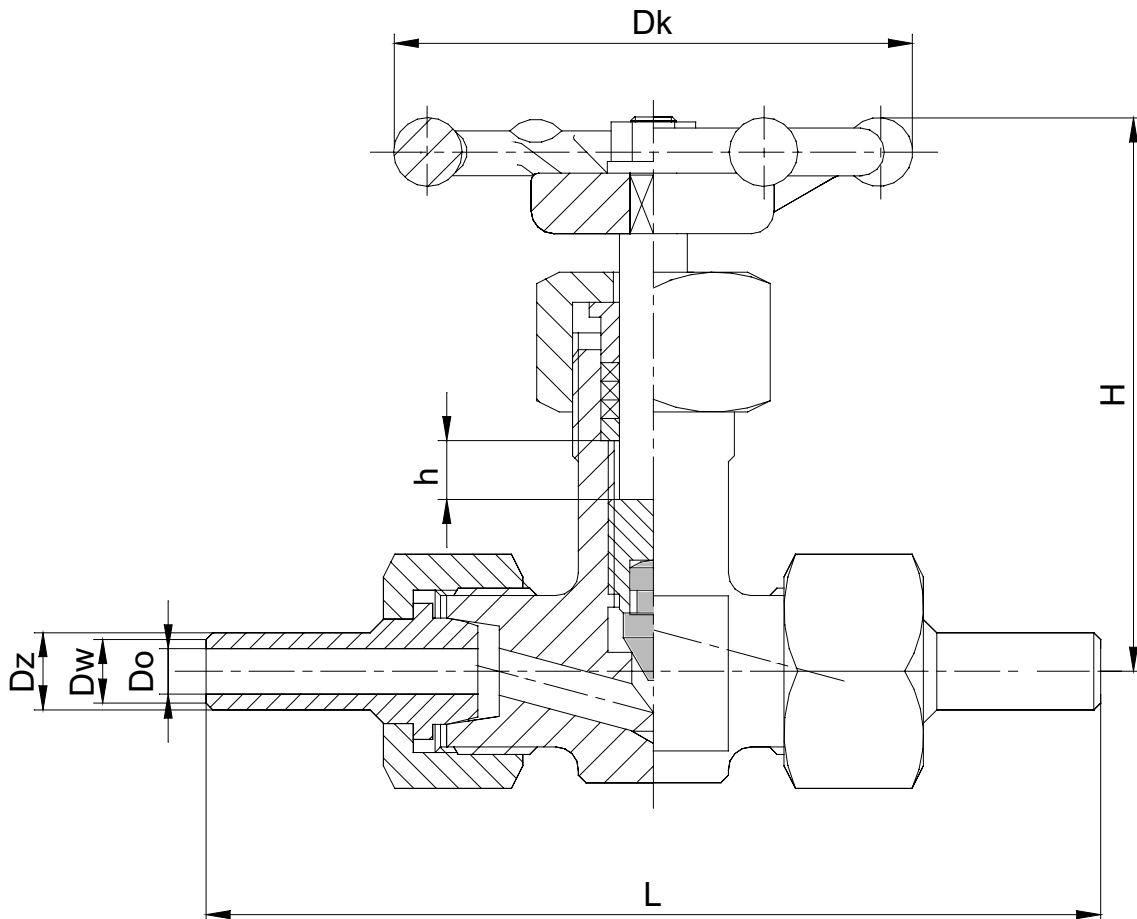
Example: ZA420 / --- / --- / ---

Example: ZB420 / --- / T / ---

Type body material	Sign	Ends	Sign	Disc and disc rings	Sign	Others	Sign
X6CrNiTi18-10	ZA420	Standard	---	Standard - X2CrNiMo17-12-2		-----	---
X2CrNiMo17-12-2	ZB420			Tytanic BT-9	T		

APPLICATION:

Stop globe valve is designed to open and stop the flow. The valve is not supposed to be used as a regulating device.



WK®

Info:

Italwarmi Srl

Via Mbro, 61 - 20097 San Donato Milanese - MI - Italy

Tel. +39 02 51 62 13 75

Fax. +39 02 51 62 90 70

e.mail: italwarmi@italwarmi.it

www.italwarmi.it

MATERIALS:

Versions	ZA420	ZB420
Parts	T _{MAX} 250°C	T _{MAX} 250°C
Body , bonnet	X6CrNiTi18-10 (1.4541)	X2CrNiMo17-12-2 (1.4404)
Seat ring	-	
Disc	X2CrNiMo17-12-2 (1.4404), BT-9 ,	
Stem	X2CrNiMo17-12-2 (1.4404)	
Packing rings	Grafit	
Wheel	Cast iron	

Special materials on request; modifications reserved.

DIMENSIONS:

DN	Do	Dw	Dz	L	H	h	Dk	Weight
6	6	8,4	10,2	120	75	5	60	0,70
8	8	10,4	12,0	120	75	5	60	0,70
10	9,6	12,0	13,7	120	75	5	60	0,70

Dimensions in mm; modifications reserved.

TECHNICAL DATA:

Body material	Medium	PN	Maximal working pressure at working temperature															
			20°C	100°C	150°C	200°C	250°C	300°C	350°C	400°C	450°C	480°C	500°C	510°C	520°C	530°C	540°C	550°C
X6CrNiTi18-10 (1.4541)	aggressive media	420	420,0	415,9	391,9	371,9	353,9	-	-	-	-	-	-	-	-	-	-	-
X2CrNiMo17-12-2 (1.4404)		420	420,0	397,9	362,0	333,9	313,9	-	-	-	-	-	-	-	-	-	-	-
X6CrNiTi18-10 (1.4541)	non aggressive media	420	420,0	415,9	391,9	371,9	353,9	333,9	321,9	311,9	304,8	301,3	297,9	294,0	291,9	288,7	285,6	283,8
X2CrNiMo17-12-2 (1.4404)		420	420,0	397,9	362,0	333,9	313,9	289,9	277,9	269,9	262,9	259,1	255,9	255,9	255,9	254,9	254,9	254,9

MOUNTING AND OPERATING:

The valve can only be mounted and operated by skilled, properly trained and qualified personnel. Incorrect assembly or operation of the valve may have substantial impact on the entire system such as fluid leakage, reduction in system's function etc.

Before a valve is installed the pipeline must be clean from any mechanical impurities. The compatibility of critical parameters of the flow must be checked with the parameters of the valve. Stop globe valve can be mounted to a pipe-line in any position. The direction of flow should only comply with the arrow marked on the body. The valve should be operated strictly with its assign. In order to provide valve's reliability the following suggestions must be observed:

- medium flowing through the valve is supposed to be clean out of any mechanical impurities;
- the valve must be protected from any mechanical damages during its work;
- nominal parameters marked on the valve must be observed.