

# STOP GLOBE VALVE ACID-PROOF ANGULAR TYPE ZFA250

## CHARACTERISTIC:

Diameter	-	15, 25, 150 mm;
Pressure	-	250 ba
Temperature	-	up to 250°C for acids, bases and other aggressive media;
	-	up to 560°C for non-toxic media; (with PTFE sealing up to 200°C);
Medium	-	acids, liquors, water, steam and other non-toxic and non aggressive liquid and gas media, engine fuel.

## VERSIONS:

**type - body material / ends / disc and disc ring / others**

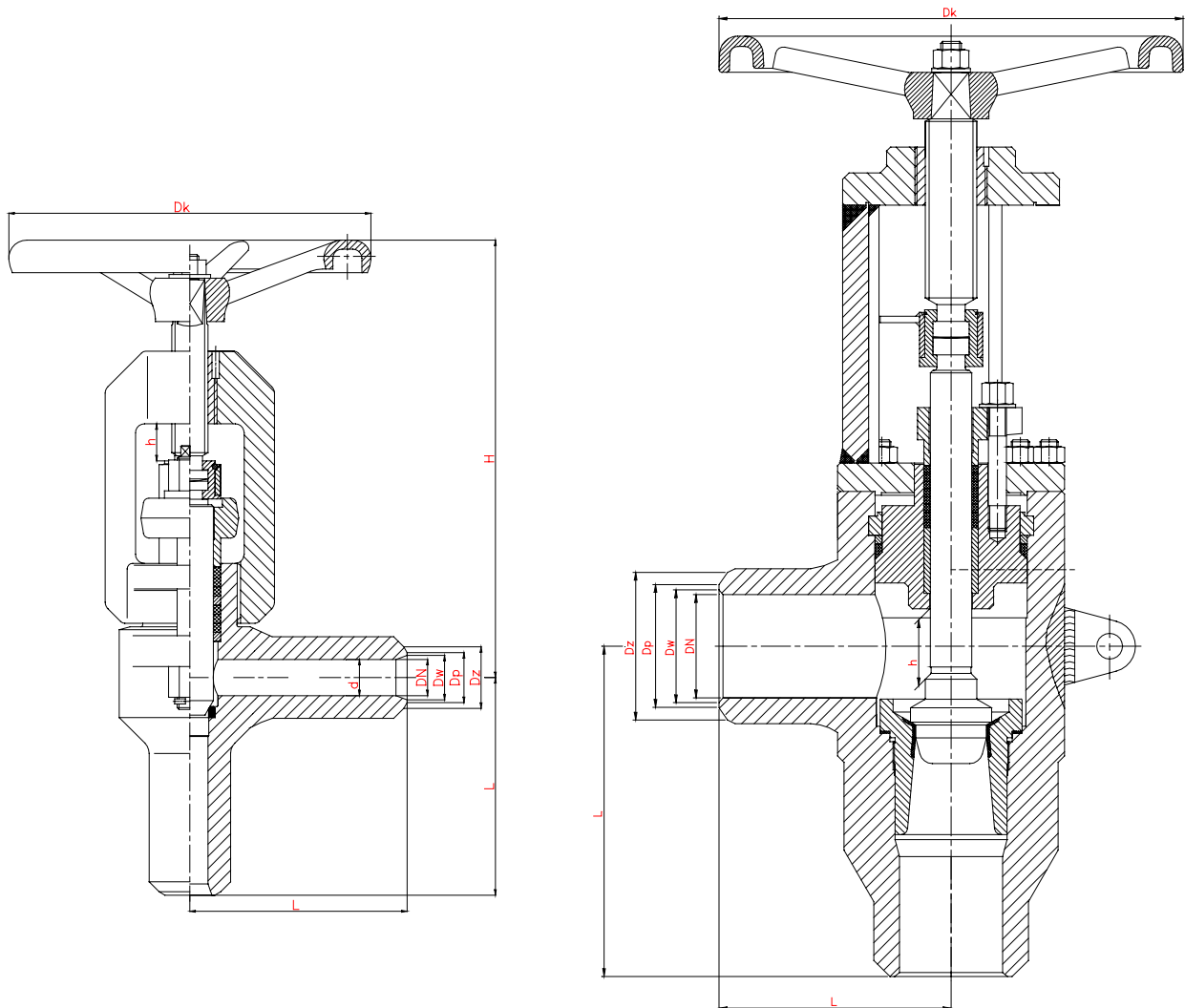
**Example:** ZFA250 / --- / --- / ---

**Example:** ZFB250 / S / P / ---

Type - body material	Sign	Ends	Sign	Disc and disc ring	Sign	Others	Sign
X6CrNi18-10 or GX5CrNi19-10	<b>ZZA250</b>	Standard - flanged	---	Standard	---	-----	---
X2CrNiMo17-12-2 or GX5CrNiMo19-11-2	<b>ZZB250</b>	Butt weld ends	<b>S</b>	PTFE ring	<b>P</b>		
		Socket weld	<b>SW</b>	NBR ring	<b>N</b>		
		Threaded	<b>G</b>				

## APPLICATION:

The stop globe valves are designed to keep pipeline safe from returning the medium.



# WK®

Info:

**Italwarmi Srl**

Via Mbro, 61 - 20097 San Donato Milanese - MI - Italy

Tel. +39 02 51 62 13 75

Fax. +39 02 51 62 90 70

e.mail: [italwarmi@italwarmi.it](mailto:italwarmi@italwarmi.it)

[www.italwarmi.it](http://www.italwarmi.it)

## MATERIALS:

Versions	ZFA250	ZFB250	ZFA250	ZFB250
Parts	DN 15 - 50		DN 65 - 125	
Body, bonnet	X6CrNiTi18-10 (1.4541)	X2CrNiMo17-12-2 (1.4404)	GX5CrNi19-10 (1.4308)	GX5CrNiMo19-11-2 (1.4408)
Disc	X6CrNiTi18-10 (1.4541)	X2CrNiMo17-12-2 (1.4404)	X6CrNiTi18-10 (1.4541)	X2CrNiMo17-12-2 (1.4404)
Spring	X6CrNiTi18-10 (1.4541)			
Gasket	Graphit			

Special materials on request; modifications reserved.

## DIMENSIONS:

Butt weld ends											Flanged									
DN	No	d	Dz	Dp	Dw	L	Weight	H	h	Dk	DN	Dz	Dp	Do	do	n	L	g.	f	Weight
15	I	14	22	17	15	115	9,00	240	20	200	-	-	-	-	-	-	-	-	-	-
25	I	24	40	29	26	130	10,00	240	22	200	-	-	-	-	-	-	-	-	-	-
150	I	145	180	151	148	350	155,00	1000	75	400	150	390	218	320	36	12	350	68	3	160,00

Other diameters in construction.

Dimensions in mm; modifications reserved.

## TECHNICAL DATA:

Body material	Medium	PN	Nominal working pressure at working temperature																	
			20°C	100°C	150°C	200°C	250°C	300°C	350°C	400°C	450°C	480°C	500°C	510°C	520°C	530°C	540°C	550°C		
X6CrNiTi18-10 (1.4541)	Aggressive media	250	250	248	233	221	211	-	-	-	-	-	-	-	-	-	-	-	-	-
			250	238	191	170	149	140	-	-	-	-	-	-	-	-	-	-	-	-
X6CrNiTi18-10 (1.4541)	Non Aggressive media	250	250	248	233	221	211	199	192	186	182	180	177	177	176	176	175	169	-	-
			250	238	191	170	149	140	131	122	113	104	98	95	-	-	-	-	-	-

## MOUNTING AND OPERATING:

*The valve can only be mounted and operated by skilled, properly trained and qualified personnel. Incorrect assembly or operation of the valve may have substantial impact on the entire system such as fluid leakage, reduction in system's function etc.*

Before a valve is installed the pipeline must be clean from any mechanical impurities. The compatibility of critical parameters of the flow must be checked with the parameters of the valve. Stop globe valve can be mounted to a pipe-line in any position. The direction of flow should only comply with the arrow marked on the body. The valve should be operated strictly with its assign. In order to provide valve's reliability the following suggestions must be observed:

- medium flowing through the valve is supposed to be clean out of any mechanical impurities;
- the valve must be protected from any mechanical damages during its work;
- nominal parameters marked on the valve must be observed.